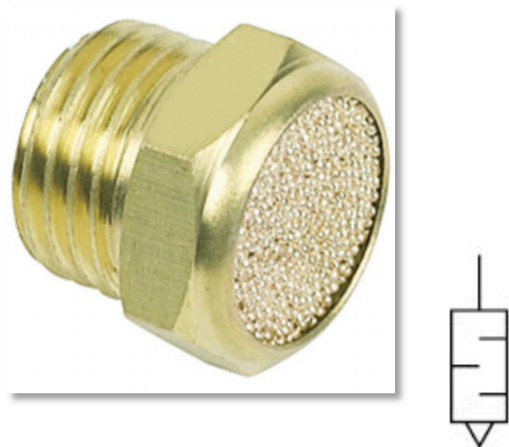


BSLM SINTERED BRONZE BREATHER VENT SILENCER



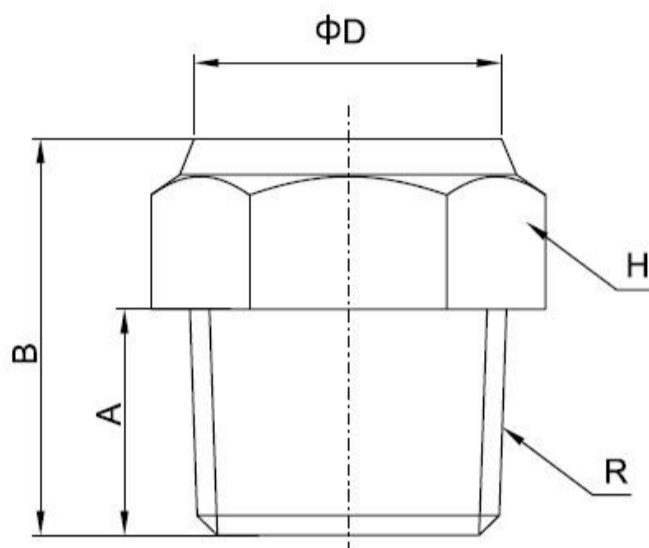
Body(noise absorbing material): Sintered bronze
Base(thread): Brass

Working Pressure: 0—1.0MPa | 0—150psi

Proof Pressure: 3.0Mpa | 435psi

Negative Pressure: -100Kpa | -29.5 In Hg

Working Temperature: -10~80°C | 14~176°F



| PART NO. | Sound Pressure Level* | R | A(mm) | B(mm) | H(mm) |
|-----------------|-----------------------|------------|-------|-------|-------|
| BSLM 01 | 75 | R1/8 | 5.8 | 11 | 12 |
| BSLM 02 | 80 | R1/4 | 7 | 12.5 | 15 |
| BSLM 03 | 85 | R3/8 | 9 | 15.5 | 18 |
| BSLM 04 | 90 | R1/2 | 10 | 17 | 21 |
| BSLM 06 | 95 | R3/4 | 10.5 | 18 | 27 |
| BSLM 08 | 100 | R1 | 11.5 | 20 | 34 |
| BSLM 10 | 105 | R1-1/4 | 18.5 | 32 | 46 |
| BSLM 12 | 105 | R1-1/2 | 18.2 | 33.5 | 53 |
| BSLM 16 | 105 | R2 | 19.5 | 36 | 64 |
| BSLM G01 | 75 | G1/8 | 5.8 | 11 | 12 |
| BSLM G02 | 80 | G1/4 | 7 | 12.5 | 15 |
| BSLM G03 | 85 | G3/8 | 9 | 15.5 | 18 |
| BSLM G04 | 90 | G1/2 | 10 | 17 | 21 |
| BSLM G06 | 95 | G3/4 | 10.5 | 18 | 27 |
| BSLM G08 | 100 | G1 | 11.5 | 20 | 34 |
| BSLM G10 | 105 | G1-1/4 | 18.5 | 32 | 46 |
| BSLM G12 | 105 | G1-1/2 | 18.2 | 33.5 | 53 |
| BSLM G16 | 105 | G2 | 19.5 | 36 | 64 |
| BSLM U10 | 74 | 10-32UNF | 4 | 10 | 8 |
| BSLM N01 | 75 | 1/8NPT | 5.8 | 11 | 12 |
| BSLM N02 | 80 | 1/4NPT | 7 | 12.5 | 15 |
| BSLM N03 | 85 | 3/8NPT | 9 | 15.5 | 18 |
| BSLM N04 | 90 | 1/2NPT | 10 | 17 | 21 |
| BSLM N06 | 95 | 3/4NPT | 10.5 | 18 | 27 |
| BSLM N08 | 100 | 1NPT | 11.5 | 20 | 34 |
| BSLM N10 | 105 | 1-1/4NPT | 18.5 | 32 | 46 |
| BSLM N12 | 105 | 1-1/2NPT | 18.2 | 33.5 | 53 |
| BSLM N16 | 105 | 2NPT | 19.5 | 36 | 64 |
| BSLM M5 x 0.8 | 72 | M5 x 0.8 | 4 | 10 | 8 |
| BSLM M6 x 1 | 72 | M6 x 1 | 4.1 | 10 | 8 |
| BSLM M8 x 1 | 75 | M8 x 1 | 5.8 | 11 | 12 |
| BSLM M8 x 1.25 | 75 | M8 x 1.25 | 5.8 | 11 | 12 |
| BSLM M10 x 1 | 75 | M10 x 1 | 5.8 | 11 | 12 |
| BSLM M10 x 1.25 | 75 | M10 x 1.25 | 5.8 | 11 | 12 |
| BSLM M12 x 1.25 | 80 | M12 x 1.25 | 7 | 12.5 | 15 |
| BSLM M14 x 1.5 | 80 | M14 x 1.5 | 7 | 12.5 | 15 |
| BSLM M16 x 1.5 | 85 | M16 x 1.5 | 9 | 15.5 | 18 |
| BSLM M20 x 1.5 | 90 | M20 x 1.5 | 10 | 17 | 21 |

* Sound pressure level measured at 6 bar at 1 m distance.

** Information contained herein may be changed without prior notification.