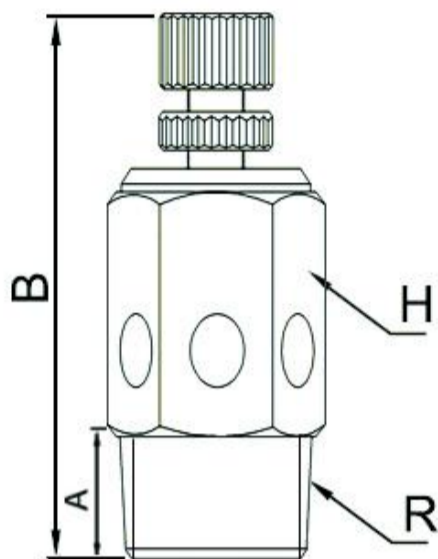


BESLC SPEED CONTROL SILENCERS



Body(noise absorbing material): Sintered bronze
Base(thread): Brass

Working Pressure: 0—1.0MPa | 0—150psi

Proof Pressure: 3.0Mpa | 435psi

Negative Pressure: -100Kpa | -29.5 In Hg

Working Temperature: -10~80°C | 14~176°F

PART NO.	Sound Pressure Level*	R	A(mm)	B(mm)	H(mm)
BESLC 01	81	R1/8	5.8	35	12
BESLC 02	85	R1/4	7	38	15
BESLC 03	80	R3/8	9	38	17
BESLC 04	87	R1/2	10	42	21
BESLC 06	84	R3/4	10.5	47	27
BESLC 08	86	R1	11.5	58	34
BESLC G01	81	G1/8	5.8	35	12
BESLC G02	85	G1/4	7	38	15
BESLC G03	80	G3/8	9	38	17
BESLC G04	87	G1/2	10	42	21
BESLC G06	84	G3/4	10.5	47	27
BESLC G08	86	G1	11.5	58	34
BESLC N01	81	1/8NPT	5.8	35	12
BESLC N02	85	1/4NPT	7	38	15
BESLC N03	80	3/8NPT	9	38	17
BESLC N04	87	1/2NPT	10	42	21
BESLC N06	84	3/4NPT	10.5	47	27
BESLC N08	86	1NPT	11.5	58	34
BESLC M5 x 0.8	75	M5 x 0.8	4.5	28	10
BESLC M6 x 1	75	M6 x 1	5	28	10
BESLC M8 x 1	81	M8 x 1	5.8	35	12
BESLC M8 x 1.25	81	M8 x 1.25	5.8	35	12
BESLC M10 x 1	81	M10 x 1	5.8	35	12
BESLC M10 x 1.25	81	M10 x 1.25	5.8	35	12
BESLC M12 x 1.25	85	M12 x 1.25	7	38	15
BESLC M14 x 1.5	85	M14 x 1.5	7	38	15
BESLC M16 x 1.5	80	M16 x 1.5	9	38	17
BESLC M20 x 1.5	87	M20 x 1.5	10	42	21

* Sound pressure level measured at 6 bar at 1 m distance.

** Information contained herein may be changed without prior notification.