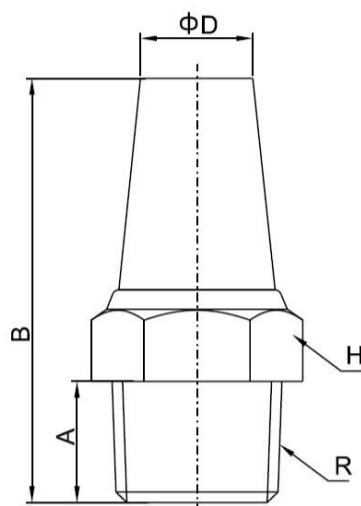


BSL STANDARD SINTERED BRONZE SILENCER



Body(noise absorbing material): Sintered bronze
Base(thread): Brass

Working Pressure: 0—1.0MPa | 0—150psi

Proof Pressure: 3.0Mpa | 435psi

Negative Pressure: -100Kpa | -29.5 In Hg

Working Temperature: -10~80°C | 14~176°F

PART NO.	Sound Pressure Level*	R	A(mm)	B(mm)	H(mm)
BSL 01	75	R1/8	5.8	23	12
BSL 02	80	R1/4	7	28	15
BSL 03	85	R3/8	9	36	18
BSL 04	90	R1/2	10	40	21
BSL 06	95	R3/4	10.5	48	27
BSL 08	100	R1	11.5	62	34
BSL 10	105	R1-1/4	18.5	83	46
BSL 12	105	R1-1/2	18.2	92	53
BSL 16	105	R2	19.5	108	64
BSL G01	75	G1/8	5.8	23	12
BSL G02	80	G1/4	7	28	15
BSL G03	85	G3/8	9	36	18
BSL G04	90	G1/2	10	40	21
BSL G06	95	G3/4	10.5	48	27
BSL G08	100	G1	11.5	62	34
BSL G10	105	G1-1/4	18.5	83	46
BSL G12	105	G1-1/2	18.2	92	53
BSL G16	105	G2	19.5	108	64
BSL U10	74	10-32UNF	4	19	8
BSL N01	75	1/8NPT	5.8	23	12
BSL N02	80	1/4NPT	7	28	15
BSL N03	85	3/8NPT	9	36	18
BSL N04	90	1/2NPT	10	40	21
BSL N06	95	3/4NPT	10.5	48	27
BSL N08	100	1NPT	11.5	62	34
BSL N10	105	1-1/4NPT	18.5	83	46
BSL N12	105	1-1/2NPT	18.2	92	53
BSL N16	105	2NPT	19.5	108	64
BSL M5 x 0.8	72	M5 x 0.8	4	19	8
BSL M6 x 1	72	M6 x 1	4.1	19	8
BSL M8 x 1	75	M8 x 1	5.8	23	12
BSL M8 x 1.25	75	M8 x 1.25	5.8	23	12
BSL M10 x 1	75	M10 x 1	5.8	23	12
BSL M10 x 1.25	75	M10 x 1.25	5.8	23	12
BSL M12 x 1.25	80	M12 x 1.25	7	28	15
BSL M14 x 1.5	80	M14 x 1.5	7	28	15
BSL M16 x 1.5	85	M16 x 1.5	9	36	18
BSL M20 x 1.5	90	M20 x 1.5	10	40	21

* Sound pressure level measured at 6 bar at 1 m distance.

** Information contained herein may be changed without prior notification.