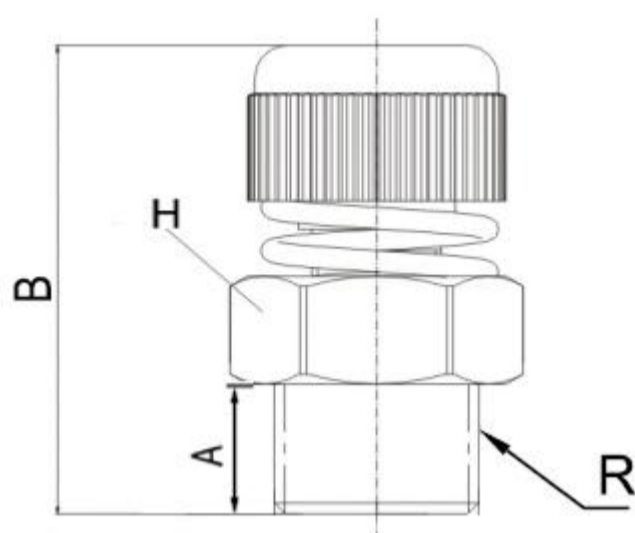


## BESLD Flow Control Silencer



Body(noise absorbing material): Sintered bronze  
Base(thread): Brass

Working Pressure: 0—1.0MPa | 0—150psi

Proof Pressure: 3.0Mpa | 435psi

Negative Pressure: -100Kpa | -29.5 In Hg

Working Temperature: -10~80°C | 14~176°F

PART NO.	Sound Pressure Level*	R	A(mm)	B(mm) MAX	H(mm)
BESLD 01	81	R1/8	6	23	12
BESLD 02	85	R1/4	7.5	28	15
BESLD 03	80	R3/8	9	33	19
BESLD 04	87	R1/2	10.5	37.5	22
BESLD 06	84	R3/4	11	50	27
BESLD 08	86	R1	14	57	34
BESLD G01	81	G1/8	6	23	12
BESLD G02	85	G1/4	7.5	28	15
BESLD G03	80	G3/8	9	33	19
BESLD G04	87	G1/2	10.5	37.5	22
BESLD G06	84	G3/4	11	50	27
BESLD G08	86	G1	14	57	34
BESLD N01	81	1/8NPT	6	23	12
BESLD N02	85	1/4NPT	7.5	28	15
BESLD N03	80	3/8NPT	9	33	19
BESLD N04	87	1/2NPT	10.5	37.5	22
BESLD N06	84	3/4NPT	11	50	27
BESLD N08	86	1NPT	14	57	34
BESLD M8 x 1	81	M8 x 1	6	23	12
BESLD M8 x 1.25	81	M8 x 1.25	6	23	12
BESLD M10 x 1	81	M10 x 1	6	23	12
BESLD M10 x 1.25	81	M10 x 1.25	6	23	12
BESLD M12 x 1.25	85	M12 x 1.25	7.5	28	15
BESLD M14 x 1.5	85	M14 x 1.5	7.5	28	15
BESLD M16 x 1.5	80	M16 x 1.5	9	33	19
BESLD M20 x 1.5	87	M20 x 1.5	10.5	57	22

\* Sound pressure level measured at 6 bar at 1 m distance.

\*\* Information contained herein may be changed without prior notification.