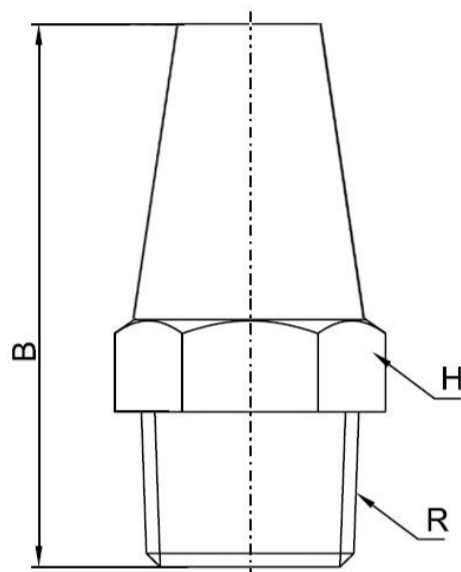


## BSLE Hexagon Sintered Bronze Silencer



Body(noise absorbing material): Sintered bronze  
Base(thread): Sintered bronze

Working Pressure: 0—1.0MPa | 0—150psi

Proof Pressure: 3.0Mpa | 435psi

Negative Pressure: -100Kpa | -29.5 In Hg

Working Temperature: -25°C~80°C | -13°F~176°F

PART NO.	Sound Pressure Level*	R	B(mm)	H(mm)
BSLE 01	81	R1/8	25	12
BSLE 02	85	R1/4	34	16.5
BSLE 03	80	R3/8	37	21.5
BSLE 04	87	R1/2	44	26
BSLE 06	84	R3/4	52	31.5
BSLE 08	86	R1	64	40.5
BSLE G01	81	G1/8	25	12
BSLE G02	85	G1/4	34	16.5
BSLE G03	80	G3/8	37	21.5
BSLE G04	87	G1/2	44	26
BSLE G06	84	G3/4	52	31.5
BSLE G08	86	G1	64	40.5
BSLE N01	81	1/8NPT	25	12
BSLE N02	85	1/4NPT	34	16.5
BSLE N03	80	3/8NPT	37	21.5
BSLE N04	87	1/2NPT	44	26
BSLE N06	84	3/4NPT	52	31.5
BSLE N08	86	1NPT	64	40.5
BSLE M8 x 1	81	M8 x 1	25	12
BSLE M8 x 1.25	81	M8 x 1.25	25	12
BSLE M10 x 1	81	M10 x 1	25	12
BSLE M10 x 1.25	81	M10 x 1.25	25	12
BSLE M12 x 1.25	85	M12 x 1.25	34	16.5
BSLE M14 x 1.5	85	M14 x 1.5	34	16.5
BSLE M16 x 1.5	80	M16 x 1.5	37	21.5
BSLE M20 x 1.5	87	M20 x 1.5	44	26

\* Sound pressure level measured at 6 bar at 1 m distance.

\*\* Information contained herein may be changed without prior notification.