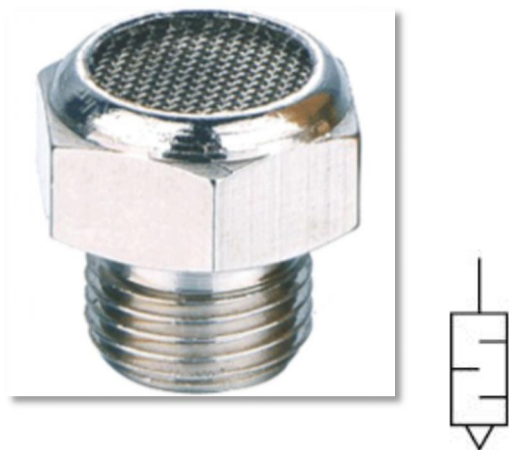


SSFM Stainless Steel Silencer with Filter Wire Net



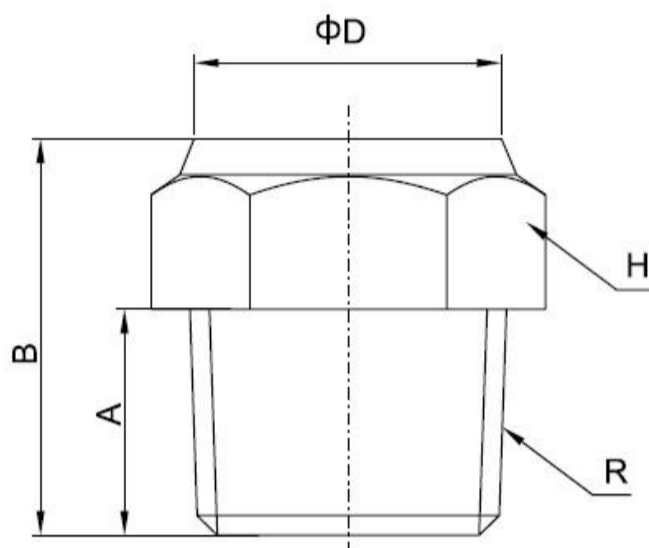
Body(noise absorbing material): Stainless Steel Wire Net
Base(thread): Stainless Steel

Working Pressure: 0—1.0MPa | 0—150psi

Proof Pressure: 3.0Mpa | 435psi

Negative Pressure: -100Kpa | -29.5 In Hg

Working Temperature: -10~80°C | 14~176°F



PART NO.	Sound Pressure Level*	R	A(mm)	B(mm)	H(mm)
SSFM 01	90	R1/8	7	13	12
SSFM 02	93	R1/4	10	17	17
SSFM 03	101	R3/8	10.5	18.5	19
SSFM 04	95	R1/2	10	20	22
SSFM 06	110	R3/4	14	23	27
SSFM 08	110	R1	19.5	30	34
SSFM G01	90	G1/8	7	13	12
SSFM G02	93	G1/4	10	17	17
SSFM G03	101	G3/8	10.5	18.5	19
SSFM G04	95	G1/2	10	20	22
SSFM G06	110	G3/4	14	23	27
SSFM G08	110	G1	19.5	30	34
SSFM U10	85	10-32UNF	4	9	8
SSFM N01	90	1/8NPT	7	13	12
SSFM N02	93	1/4NPT	10	17	17
SSFM N03	101	3/8NPT	10.5	18.5	19
SSFM N04	95	1/2NPT	10	20	22
SSFM N06	110	3/4NPT	14	23	27
SSFM N08	110	1NPT	19.5	30	34
SSFM M5 x 0.8	85	M5 x 0.8	4	9	8
SSFM M6 x 1	85	M6 x 1	4.1	9	8
SSFM M8 x 1	90	M8 x 1	7	13	12
SSFM M8 x 1.25	90	M8 x 1.25	7	13	12
SSFM M10 x 1	90	M10 x 1	7	13	12
SSFM M10 x 1.25	90	M10 x 1.25	7	13	12
SSFM M12 x 1.25	93	M12 x 1.25	10	17	17
SSFM M14 x 1.5	93	M14 x 1.5	10	17	17
SSFM M16 x 1.5	101	M16 x 1.5	10.5	18.5	19
SSFM M20 x 1.5	95	M20 x 1.5	10	20	22

* Sound pressure level measured at 6 bar at 1 m distance.

** Information contained herein may be changed without prior notification.