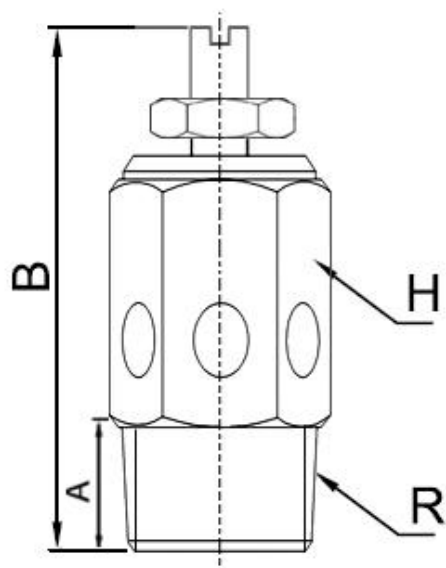


BESLC-S SLOT SPEED CONTROL SILENCERS



Body(noise absorbing material): Sintered bronze
Base(thread): Brass

Working Pressure: 0—1.0MPa | 0—150psi

Proof Pressure: 3.0Mpa | 435psi

Negative Pressure: -100Kpa | -29.5 In Hg

Working Temperature: -25°C~80°C | -13°F~176°F

PART NO.	Sound Pressure Level*	R	A(mm)	B(mm)	H(mm)
BESLC-S 01	81	R1/8	5.8	35	12
BESLC-S 02	85	R1/4	7	36	15
BESLC-S 03	80	R3/8	9	44	17
BESLC-S 04	87	R1/2	10	50	21
BESLC-S 06	84	R3/4	10.5	60	27
BESLC-S 08	86	R1	11.5	75	34
BESLC-S G01	81	G1/8	5.8	35	12
BESLC-S G02	85	G1/4	7	36	15
BESLC-S G03	80	G3/8	9	44	17
BESLC-S G04	87	G1/2	10	50	21
BESLC-S G06	84	G3/4	10.5	60	27
BESLC-S G08	86	G1	11.5	75	34
BESLC-S N01	81	1/8NPT	5.8	35	12
BESLC-S N02	85	1/4NPT	7	36	15
BESLC-S N03	80	3/8NPT	9	44	17
BESLC-S N04	87	1/2NPT	10	50	21
BESLC-S N06	84	3/4NPT	10.5	60	27
BESLC-S N08	86	1NPT	11.5	75	34
BESLC-S M5 x 0.8	75	M5 x 0.8	—	—	—
BESLC-S M6 x 1	75	M6 x 1	—	—	—
BESLC-S M8 x 1	81	M8 x 1	5.8	35	12
BESLC-S M8 x 1.25	81	M8 x 1.25	5.8	35	12
BESLC-S M10 x 1	81	M10 x 1	5.8	35	12
BESLC-S M10 x 1.25	81	M10 x 1.25	5.8	35	12
BESLC-S M12 x 1.25	85	M12 x 1.25	7	36	15
BESLC-S M14 x 1.5	85	M14 x 1.5	7	36	15
BESLC-S M16 x 1.5	80	M16 x 1.5	9	44	17
BESLC-S M20 x 1.5	87	M20 x 1.5	10	50	21

* Sound pressure level measured at 6 bar at 1 m distance.

** Information contained herein may be changed without prior notification.